




## Data sheet COMFORT NEW control panel



### Control panel COMFORT NEW

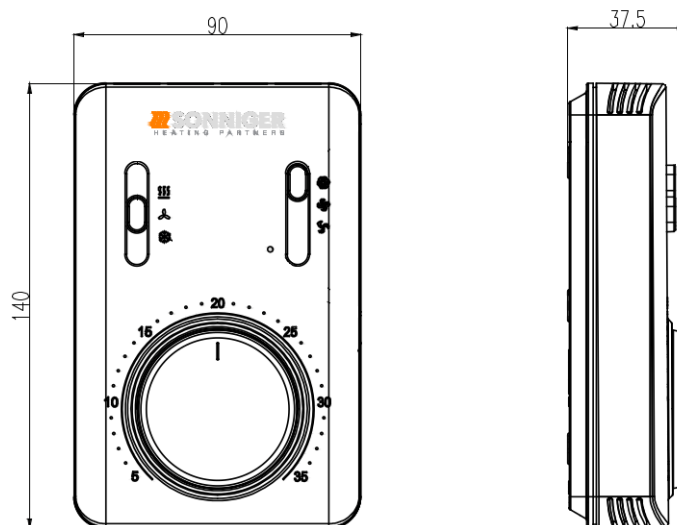
The COMFORT NEW control panel is used to regulate the operation of heaters and air curtains. The COMFORT NEW controller allows you to adjust the temperature, operating mode of the device and fan speed.

### Control panel COMFORT NEW works with:

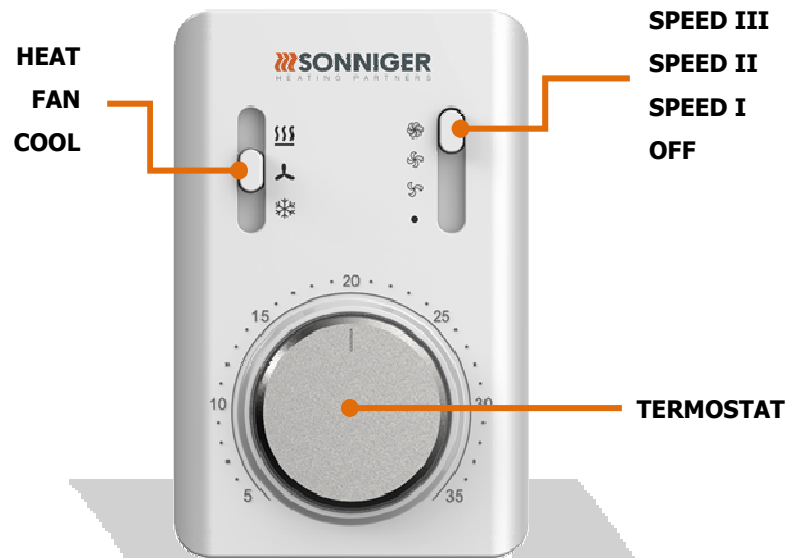
-  heaters HEATER CONDENS ONE/CR/MAX (max. 6/3/2 heaters)
-  air-curtains GUARD (max. 2 curtains)
-  industrial air-curtains GUARD PRO (max. 1 curtain)

TECHNICAL PARAMETERS		COMFORT NEW
Power supply	V/Hz	230/50
Maximum current	A	5
Temperature adjustment range	°C	From +5 to +35
Operating temperature range	°C	From 0 to +50
IP	-	20

### Technical drawing of the COMFORT NEW panel



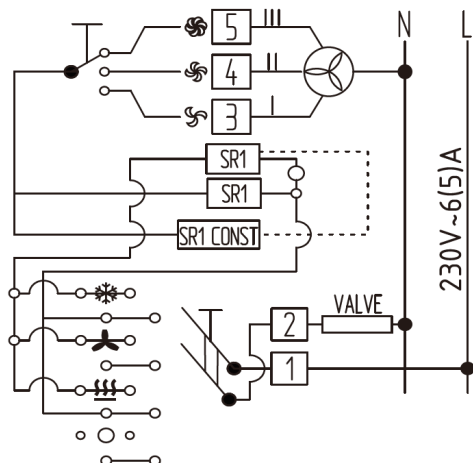
## Description of the COMFORT NEW panel



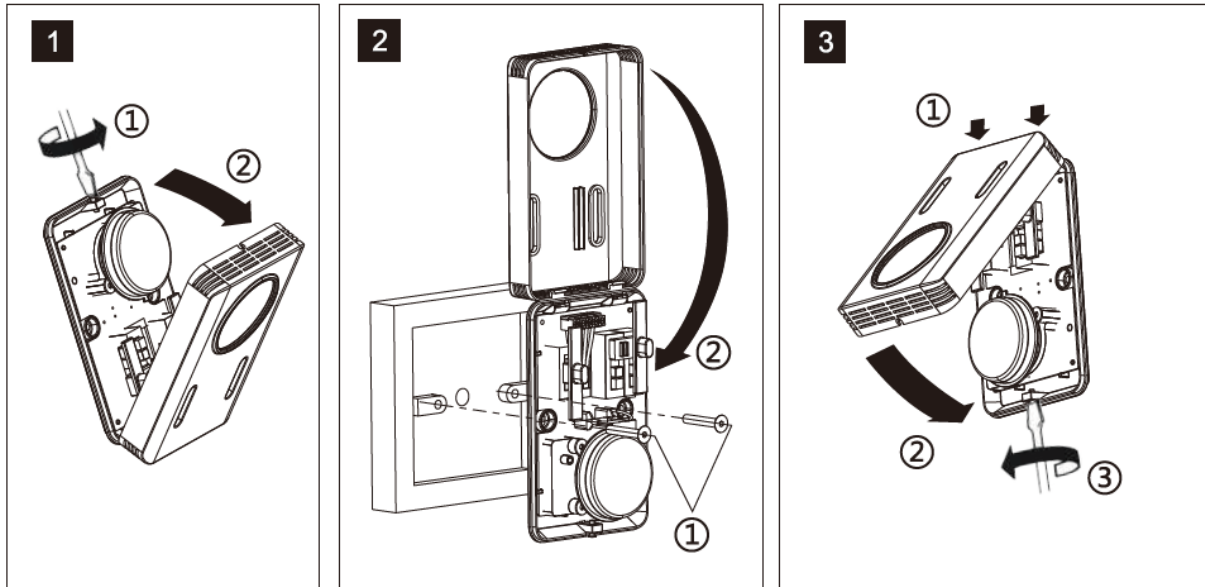
The control panel has two operating modes, depending on the jumper setting. Defaultly, the device is delivered in the SR1 jumper configuration. After removing the front of the housing, it is possible to change the position of the jumper from SR1 to SR1 CONS.

FUNCTION	JUMPER SR1	JUMPER SR1 CONS
HEAT	the thermostat gives an operating signal for the actuator and the fan, the fan turns off when the set temperature is reached, the valve closes the water flow	the fan works independently of the thermostat, the valves work up to the set temperature
FAN	operation of the fan above the set temperature of the thermostat, valves do not work	operation of the fan in continuous mode at the set speed, regardless of the thermostat, valves do not work
COOL	the thermostat gives a signal to the actuator and the fan, the device starts above the set temperature	fan operation independent of the thermostat, valves operate above the set temperature

## Electrical connection



## Montage



## Safety

1. Before installing and using the product, please read the attached manual
2. It is forbidden to use the COMFORT NEW panel for devices not provided for in the material card
3. Do not leave the device within the reach of children
4. To avoid damage, do not throw, hit or splash the device
5. Warning: Danger of electric shock, disconnect the power supply before making the electrical connection.

## Producer

Wuxi Huishan Automatic Controller Co., Ltd  
No.18 Tianzhu Road, Hudai Industrial Park, Binhu  
District,  
Wuxi (Jiangsu), 214161, China

## Importer

SONNIGER S.A.  
81-310 Gdynia  
ul. Śląska 35/37  
Poland



A CE declaration of conformity has been issued for the product, which is available on request